

**NFPA 260**  
Standard Methods of  
Tests and Classification System for Cigarette Ignition  
Resistance of Components of Upholstered Furniture  
2003 Edition

Copyright © 2003, National Fire Protection Association, All Rights Reserved

This edition of NFPA 260, *Standard Methods of Tests and Classification System for Cigarette Ignition Resistance of Components of Upholstered Furniture*, was prepared by the Technical Committee on Fire Tests and acted on by NFPA at its May Association Technical Meeting held May 18–21, 2003, in Dallas, TX. It was issued by the Standards Council on July 18, 2003, with an effective date of August 7, 2003, and supersedes all previous editions.

This edition of NFPA 260 was approved as an American National Standard on July 18, 2003.

### **Origin and Development of NFPA 260**

Regulation of the manufacture of furniture has been a subject of research and debate since 1967, when the Flammable Fabrics Act was amended by Congress to include products in addition to wearing apparel and home textiles that might constitute an unreasonable flammability risk. The National Bureau of Standards (NBS) began funding laboratory research on the subject in 1968. With its formation in 1973, the U.S. Consumer Product Safety Commission (CPSC) became the government agency responsible for administration of the Flammable Fabrics Act, including the adoption of any program or standard regulating upholstered furniture. NBS retained responsibility for designing test methods related to flammable fabrics.

In 1976, NBS submitted a draft to the CPSC for a proposed cigarette ignition resistance standard for upholstered furniture. Shortly thereafter, however, the CPSC was reorganized into separate program areas, followed by nearly a year's worth of study on its children's sleepwear standards, which was prompted by findings that a chemical used in sleepwear to make it flame-retardant might be carcinogenic. In November 1978, the CPSC staff, after modifying the originally proposed NBS standard on upholstered furniture, recommended to the CPSC commissioners that they publish the proposed standard.

In December 1978, at an informal meeting during which the CPSC asked that comments be

Copyright NFPA

submitted before publishing the final version of the standard, the upholstered furniture industry proposed its own voluntary program, the Upholstered Furniture Action Council (UFAC) Voluntary Action Program.

The UFAC voluntary program was adopted in April 1979. The 1983 edition of this standard (then NFPA 260A) was developed subsequent to that date by the Technical Committee on Fire Tests and drew heavily on the UFAC test method for components of upholstered furniture. The 1986 edition brought the document into substantial agreement with the UFAC test method. The 1989 edition was renumbered as NFPA 260 and included refinements for further agreement with the UFAC test method.

The 1994 edition of this standard provided further refinements that reflected minor changes and editorial clarification. Those changes involved current definitions and technology used within the upholstered furniture industry.

The 1998 edition added a clarification defining the pretest cigarette burn length.

For the 2003 edition, the chapter layout of NFPA 260 has been reorganized to meet the *NFPA Manual of Style*.

### **Technical Committee on Fire Tests**

**William E. Fitch**, *Chair*

Omega Point Laboratories Inc., TX [RT]

**Patty K. Adair**, American Textile Manufacturers Institute Inc., DC [M]

**Jesse J. Beitel**, Hughes Associates, Inc., MD [SE]

**April L. Berkol**, Starwood Hotels & Resorts Worldwide, Inc., NY [U]  
Rep. American Hotel & Lodging Association

**Robert G. Bill, Jr.**, FM Global, MA [I]

**John A. Blair**, The Dupont Company, DE [M]  
Rep. Society of the Plastics Industry Inc.

**Gordon H. Damant**, Inter-City Testing & Consulting Corp. of California, CA [SE]

**Thomas W. Fritz**, Armstrong World Industries Inc., PA [M]

**James R. Griffith**, Southwest Research Institute, TX [RT]

**Gordon E. Hartzell**, Hartzell Consulting, Inc., TX [SE]

**Marcelo M. Hirschler**, GBH International, CA [SE]

**Alfred J. Hogan**, Reedy Creek Improvement District, FL [E]

Copyright NFPA

Rep. International Fire Marshals Association

**William E. Koffel**, Koffel Associates, Inc., MD [SE]

**James R. Lawson**, U.S. National Institute of Standards & Technology, MD [RT]

**Rodney A. McPhee**, Canadian Wood Council, Canada [M]

**William S. Metes**, Underwriters Laboratories Inc., IL [RT]

**Frederick W. Mowrer**, University of Maryland, MD [SE]

**Nigel R. Stamp**, Intertek Testing Services NA, Inc., WI [RT]

**Phil M. Stricklen**, American Fibers and Yarns Company, GA [M]

**Kuma Sumathipala**, American Forest & Paper Association, DC [M]

**T. Hugh Talley**, Hugh Talley Company, TN [M]  
Rep. Upholstered Furniture Action Council

**Rick Thornberry**, The Code Consortium, Inc., CA [SE]

**William A. Webb**, Performance Technology Consulting, Ltd., IL [SE]

**Robert A. Wessel**, Gypsum Association, DC [M]

**Robert J. Wills**, American Iron and Steel Institute, AL [M]

**Peter J. Willse**, GE Global Asset Protection Services, CT [I]

#### **Alternates**

**Delbert F. Boring, Jr.**, American Iron and Steel Institute, OH [M]  
(Alt. to R. J. Wills)

**Sam W. Francis**, American Forest & Paper Association, PA [M]  
(Alt. to K. Sumathipala)

**Richard G. Gann, Ph.D.**, U.S. National Institute of Standards & Technology, MD [RT]  
(Alt. to J. R. Lawson)

**Peter L. Hunsberger**, Armstrong World Industries, Inc., PA [M]  
(Alt. to T. W. Fritz)

**James K. Lathrop**, Koffel Associates, Inc., CT [SE]

Copyright NFPA

(Alt. to W. E. Koffel)

**James A. Milke**, University of Maryland, MD [SE]  
(Alt. to F. W. Mowrer)

**Arthur J. Parker**, Hughes Associates, Inc., MD [SE]  
(Alt. to J. J. Beitel)

**David K. Tanaka**, FM Global, MA [I]  
(Alt. to R. G. Bill)

**William A. Thornberg**, GE Global Asset Protection Services, CT [I]  
(Alt. to P. J. Willse)

**James J. Urban**, Underwriters Laboratories Inc., IL [RT]  
(Alt. to W. S. Metes)

**Joe Ziolkowski**, American Furniture Manufacturers Association, NC [M]  
(Alt. to T. H. Talley)

### **Nonvoting**

**Robert H. Barker**, American Fiber Manufacturers Association, DC [M]  
(Alt. to T. L. Jilg)

**Tod L. Jilg**, Hoechst Celanese Corporation, NC [M]  
Rep. American Fiber Manufacturers Association

**Rohit Khanna**, U.S. Consumer Product Safety Commission, MD [C]

**Herman H. Spaeth**, Novato, CA  
(Member Emeritus)

**Steven E. Younis**, NFPA Staff Liaison

*This list represents the membership at the time the Committee was balloted on the final text of this edition. Since that time, changes in the membership may have occurred. A key to classifications is found at the back of the document.*

NOTE: Membership on a committee shall not in and of itself constitute an endorsement of the Association or any document developed by the committee on which the member serves.

**Committee Scope:** This Committee shall have primary responsibility for documents on fire testing procedures, for reviewing existing fire test standards and recommending appropriate action to NFPA, for recommending the application of and advising on the interpretation of acceptable test standards for fire problems of concern to NFPA technical committees and members, and for acting in a liaison capacity between NFPA and the committees of other organizations writing fire test standards. This Committee does not cover fire tests that are used to evaluate extinguishing agents, devices, or systems.

**NFPA 260**  
**Standard Methods of**  
**Tests and Classification System for Cigarette Ignition Resistance of Components of**  
**Upholstered Furniture**  
**2003 Edition**

***IMPORTANT NOTE: This NFPA document is made available for use subject to important notices and legal disclaimers. These notices and disclaimers appear in all publications containing this document and may be found under the heading “Important Notices and Disclaimers Concerning NFPA Documents.” They can also be obtained on request from NFPA or viewed at [www.nfpa.org/disclaimers](http://www.nfpa.org/disclaimers).***

NOTICE: An asterisk (\*) following the number or letter designating a paragraph indicates that explanatory material on the paragraph can be found in Annex A.

Information on referenced publications can be found in Chapter 2 and Annex C.

## **Chapter 1 Administration**

### **1.1 Scope.**

**1.1.1** The tests described in this document apply to upholstered furniture components that are tested in a standard, defined composite.

**1.1.2** These tests shall apply to cover fabrics, interior fabrics, welt cords, decking materials, barrier materials, and filling/padding materials including, but not limited to, battings of natural or man-made fibers, foamed or cellular filling materials, resilient pads of natural or man-made fibers, and loose particulate filling materials such as shredded polyurethane or feathers and down.

### **1.2 Purpose.**

**1.2.1** These test methods are designed to evaluate ignition resistance of upholstered furniture when exposed to smoldering cigarettes under specified conditions.

**1.2.2** It is the intent of this standard to provide tests to determine whether covered upholstered furniture components such as cover fabrics, welt cords, decking materials, interior fabrics, and filling/padding materials are relatively resistant to ignition by smoldering cigarettes.

**1.2.3\*** This standard establishes a classification system for determining the resistance of upholstered furniture components to cigarette ignition.

### **1.3 Application.**

**1.3.1** Tests specified by this standard are intended to measure the performance of upholstered furniture components under conditions of exposure to a smoldering cigarette.

**1.3.2** Tests specified by this standard shall not be used to measure the performance of upholstered furniture under conditions of open flame exposure, and do not indicate whether the furniture will resist the propagation of flame under severe fire exposure or when tested in a manner that differs substantially from the test standard.

**1.3.3** The test results obtained with a material component tested in a given mock-up, in accordance with this standard, do not necessarily indicate the performance of the same material component in the form of other geometric configurations, such as full-size furniture.

**1.3.4** Tests specified by this standard shall be used to measure and describe the response of materials, products, or assemblies to a smoldering cigarette under controlled laboratory conditions, and do not necessarily describe or appraise the fire hazard or fire risk of materials, products, or furniture assemblies under actual fire conditions.

**1.3.5** This standard is intended to assist in component selection and composite design for upholstered furniture in order to achieve a high level of resistance to cigarette ignition.

**1.3.6** The effects of aging on components, and composites made from components, have not been studied. As a result, the test methods contained in this standard might not predict changes caused by aging or contamination during normal use.

#### **1.4 Test Selection.**

**1.4.1** All outer cover fabrics shall be subjected to the cover fabric test.

**1.4.2** All interior fabrics used in intimate contact with outer fabrics shall be subjected to the interior fabric test.

**1.4.3** All welt cord shall be subjected to the welt cord test.

**1.4.4** All material used under the cover fabric in seats or within inside vertical walls (inside arms and inside backs) shall be subjected to the filling/padding component test.

**1.4.5** Any material used in the deck under loose cushions shall be subjected to the decking materials test.

**1.4.6** Any material intended to serve as a barrier between Class II cover fabrics and conventional polyurethane foam in a seat shall be subjected to the barrier materials test.

## **Chapter 2 Referenced Publications**

### **2.1 General.**

The documents or portions thereof listed in this chapter are referenced within this standard and shall be considered part of the requirements of this document.

### **2.2 NFPA Publications. (Reserved)**

### **2.3 Other Publications.**

### 2.3.1 GSA Publication.

General Services Administration, Specifications Activity, Printed Materials Supply Division, Building 197, Naval Weapons Plant, Washington DC 20407.

Federal Specification CCC.C.438.E, *Cloth, Ticking, Twill, Cotton; Type I*, February 14, 1986.

## Chapter 3 Definitions

### 3.1 General.

The definitions contained in this chapter shall apply to the terms used in this standard. Where terms are not included, common usage of the terms shall apply.

### 3.2 NFPA Official Definitions.

**3.2.1 Shall.** Indicates a mandatory requirement.

**3.2.2 Should.** Indicates a recommendation or that which is advised but not required.

**3.2.3 Standard.** A document, the main text of which contains only mandatory provisions using the word “shall” to indicate requirements and which is in a form generally suitable for mandatory reference by another standard or code or for adoption into law. Nonmandatory provisions shall be located in an appendix or annex, footnote, or fine-print note and are not to be considered a part of the requirements of a standard.

### 3.3 General Definitions.

**3.3.1 Barrier/Barrier Fabric.** The fabric or other material placed directly under the cover fabric when Class II cover fabric is used.

**3.3.2 Char.** Carbonaceous material formed by pyrolysis or incomplete combustion.

**3.3.3 Filling Direction.** In woven fabrics that direction perpendicular to the warp direction.

**3.3.4 Ignition.** Continuous, self-sustaining, smoldering combustion of upholstered furniture substrates after exposure to burning cigarettes.

**3.3.4.1\* Obvious Ignition.** Pronounced, continuous, and self-sustaining combustion of the test system.

**3.3.5\* Machine Direction.** In the case of nonwoven or film-type materials, that direction parallel to the longest dimension of the roll goods.

**3.3.6 Sample.** Material being tested.

**3.3.7 Selvedge.** The outermost edge of the width of the fabric.

**3.3.8 Specimen.** Individual pieces of a sample used in a single test assembly.

**3.3.9 Warp Direction.** In woven textiles, that direction on the roll of fabric that is parallel to

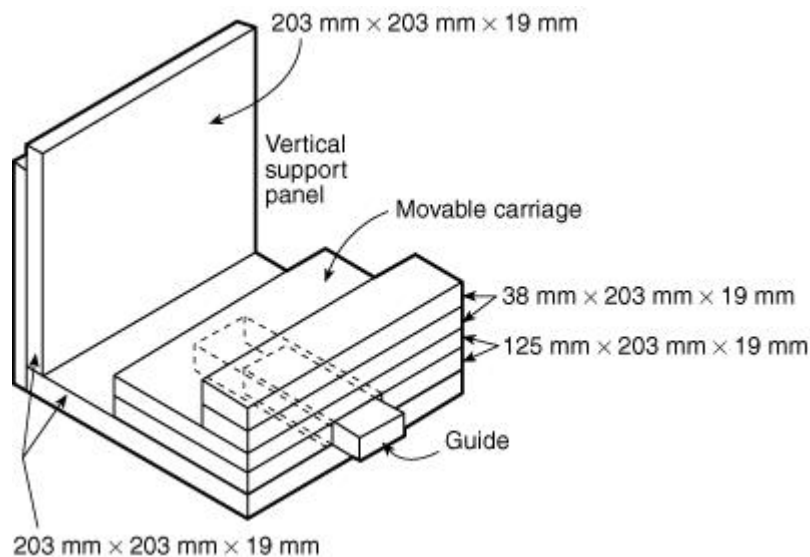
the selvages.

**3.3.10 Welt.** The cord or piping sewn into the seam or border edge of a cushion, pillow, arm, or back of a furniture item.

## Chapter 4 Test Apparatus

### 4.1 Mini-Mock-Up Tester.

**4.1.1** The mini-mock-up tester shall consist of a base with a centrally located guide and a stationary vertical panel, a movable horizontal carriage, and a removable vertical support panel as shown in Figure 4.1.1.



**FIGURE 4.1.1 Mini-Mock-Up Tester.**

**4.1.2** The base shall consist of two wooden panels, each nominally 203 mm x 203 mm with nominal 19-mm thickness, joined together at one edge.

**4.1.3** The carriage shall have a 125 mm x 203 mm platform to support a horizontal specimen.

**4.1.4** The platform shall be 38 mm above the floor of the base and shall have a 32-mm lip at the front edge.

**4.1.5** The carriage shall be grooved to fit over a guide provided on the floor of the base.

**4.1.6** The removable vertical support panel shall consist of a wooden panel of nominal 203 mm x 203 mm area and nominal 19-mm thickness, which stands against the vertical wall of the base.

### 4.2 Decking Materials Tester.

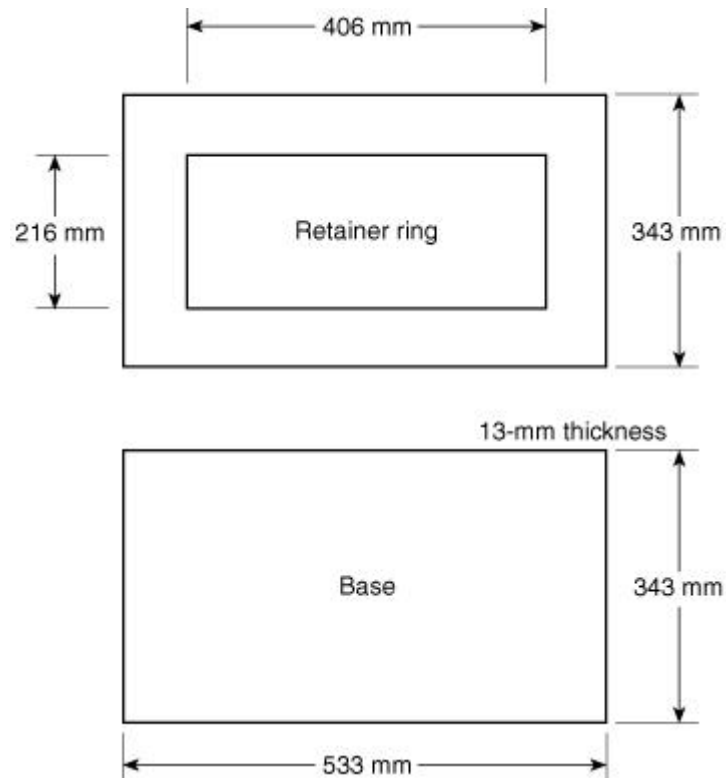
**4.2.1** The decking materials tester shall consist of a plywood base and a plywood retainer ring.

Copyright NFPA



**4.2.2** The base shall measure 533 mm × 343 mm × 13 mm.

**4.2.3** The retainer ring shall measure 533 mm × 343 mm × 13 mm with an opening measuring 406 mm × 216 mm as shown in Figure 4.2.3.



**FIGURE 4.2.3 Decking Materials Tester.**

### **4.3 Ignition Source.**

The ignition source for the test shall be natural tobacco cigarettes without filter tips, 85 mm ± 2 mm long, with a packing density of 0.270 g/cm<sup>3</sup> ± 0.020 g/cm<sup>3</sup>, and a total weight of 1.1 g ± 0.1 g.

### **4.4 Standard Type I Cover Fabric.**

**4.4.1** Standard Type I cover fabric shall be 100 percent cotton mattress ticking conforming to Federal Specification CCC.C.438.E, *Cloth, Ticking, Twill, Cotton; Type I*.

**4.4.2** Standard Type I cover fabric shall be laundered and tumble-dried once before use.

### **4.5\* Standard Type II Cover Fabric.**

Standard Type II cover fabric shall be UFAC Type II, 100 percent bright, regular rayon, scoured, 20/2, ring-spun, basket-weave construction, 125 g/m<sup>2</sup> ± 12 g/m<sup>2</sup>, and white in color and shall not be treated with any flame-retardant finishes, whiteners, or back coating.

### **4.6 Sheeting Material.**

**4.6.1** Sheeting material shall be cotton bed sheeting weighing  $125 \text{ g/m}^2 \pm 28 \text{ g/m}^2$  and white in color and shall not be treated with flame retardants.

**4.6.2** For testing, the fabric shall be cut into squares of  $127 \text{ mm} \times 127 \text{ mm}$ .

**4.6.3** If 100 percent cotton sheeting is unavailable, a 50/50 blend of cotton/polyester conforming to the other specifications (weight, color, and untreated) shall be permitted to be used.

#### **4.7 Polyurethane Foam Substrate.**

The polyurethane foam substrate shall be an open-celled, polyether-type, urethane UFAC foam having a density of  $20 \text{ kg/m}^3$  to  $25 \text{ kg/m}^3$  and containing no inorganic fillers and shall not be treated with flame retardants.

#### **4.8 Miscellaneous.**

Other apparatus needed to carry out the testing shall include straight pins, a staple gun, a knife or scissors, tongs, and a linear scale graduated in millimeter divisions.

#### **4.9\* Air Velocity.**

**4.9.1** The air velocity across the test assemblies shall be maintained below  $15.2 \text{ m/min}$  (which is virtually the velocity of natural convection created by the burning cigarette) in order to minimize localized effects from draft superheating of cigarette embers.

**4.9.2** The smoke plume from the burning cigarette shall be visibly vertical and shall be a minimum of  $152 \text{ mm}$  in height.

#### **4.10 Extinguishing Equipment.**

**4.10.1** A pressurized water fire extinguisher or other fire-extinguishing equipment shall be immediately available.

**4.10.2** A water bottle fitted with a spray nozzle shall be provided to extinguish any ignited portions of the test specimen.

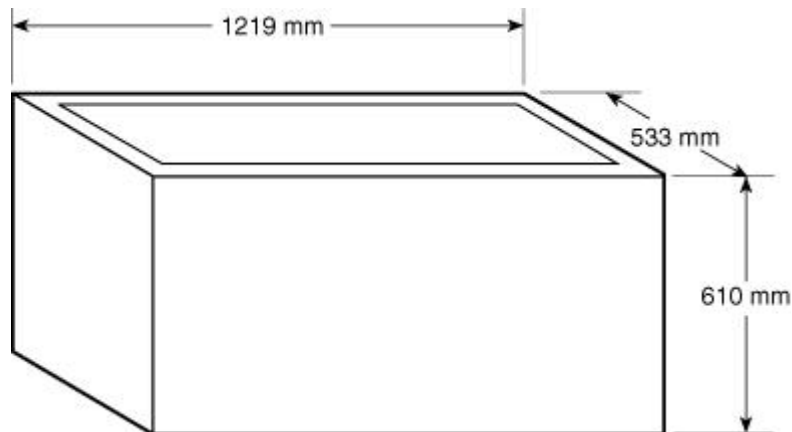
**4.10.3** A bucket of water shall be provided for immersing smoldering or burning materials removed from the tester.

**4.10.4** Tongs shall be provided for handling smoldering materials prior to immersion.

**4.10.5** Gloves and breathing apparatus also shall be provided for handling smoldering or burning materials.

#### **4.11 Draft Enclosure.**

An open, draft-preventive enclosure, measuring  $1219 \text{ mm} \times 533 \text{ mm} \times 610 \text{ mm}$ , shall be provided and used to restrict airflow to convection only as shown in Figure 4.11.



**FIGURE 4.11 Draft Enclosure.**

## Chapter 5 Test Specimens

### 5.1 Specimen Conditioning.

**5.1.1** All test upholstery fabrics and test materials, including cigarettes and sheeting material, shall be conditioned at a temperature of  $21^{\circ}\text{C} \pm 2.8^{\circ}\text{C}$  and a relative humidity of less than 65 percent for at least 4 hours prior to testing.

**5.1.2** If the test room does not meet the specifications for conditioning described in 5.1.1, the testing shall be initiated within 10 minutes after the specimens are removed from the conditioning room.

### 5.2 Cover Fabric Specimen.

**5.2.1** Three  $203\text{ mm} \times 203\text{ mm}$  specimens shall be cut from the material to be tested for horizontal panels, and three  $203\text{ mm} \times 381\text{ mm}$  specimens shall be cut for vertical panels.

**5.2.2** Each specimen shall have its long dimension cut in the direction of the warp and assembled for testing in a warp-to-warp orientation, such that the major areas of weave variation lie in the crevice of the assembled test apparatus.

**5.2.3** For fabrics with complex weaves, specimens shall be cut such that portions of the three largest areas of weave complexity are contacted by the cigarettes placed on the test assemblies.

**5.2.3.1** For dyed fabrics, printed fabrics, or both, color shall not constitute a variation relative to cigarette ignition resistance in this test.

### 5.3 Interior Fabric Specimen.

Three  $203\text{ mm} \times 203\text{ mm}$  specimens shall be cut from the material to be tested.

### 5.4 Welt Cord Specimen.

Three 205-mm specimens shall be cut from the welt cord to be tested.

### **5.5 Filling/Padding Component Specimen.**

**5.5.1** Three 203 mm × 127 mm × 51 mm specimens shall be cut for the horizontal panels, and three 203 mm × 203 mm × 51 mm specimens shall be cut for the vertical panels.

**5.5.2\*** For loose or particulate materials such as shredded polyurethane and down, upholstery cover materials or ticking used to contain the loose or particulate material shall be sewn as follows:

- (1) Knife edge-type bags shall measure 254 mm × 254 mm inside seam to inside seam.
- (2) The bags shall be made of the same material used to manufacture the upholstered furniture, and the loose or particulate material shall be the same as that used to manufacture the upholstered furniture.
- (3) The bags, sewn on three sides, then shall be filled with 40 g ± 2 g of the loose or particulate material, and the fourth side shall be sewn closed.
- (4) The composite of the bag material and the loose or particulate material shall be tested using the filling/padding component test and shall pass the minimum Class I criteria for this test when tested in the vertical wall of the mini-mock-up.

### **5.6 Decking Materials Specimen.**

**5.6.1** One specimen measuring 533 mm × 343 mm and at least 25 mm thick shall be cut from the decking material to be tested.

**5.6.2** If sample thickness is less than 25 mm, multiple layers shall be used in this test to achieve the required thickness.

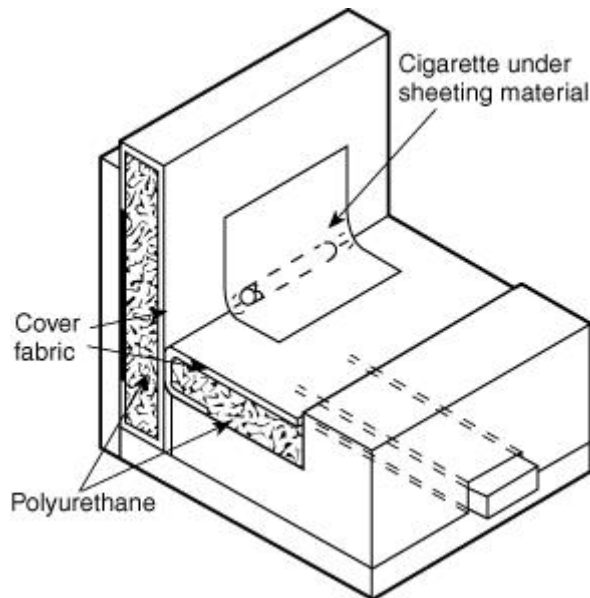
### **5.7 Barrier Materials Specimen.**

Three 203 mm × 203 mm specimens shall be cut for horizontal panels from the material to be tested, and three 203 mm × 381 mm specimens shall be cut for vertical panels.

## **Chapter 6 Test Procedures**

### **6.1 Cover Fabric Test.**

**6.1.1** For horizontal panels, the 203 mm × 203 mm cover fabric specimen shall be placed on a 203 mm × 127 mm × 51 mm polyurethane substrate, using pins in the ends of the fabric specimen to hold it in place, as shown in Figure 6.1.1.



**FIGURE 6.1.1 Cover Fabric Test Method.**

**6.1.2** For vertical panels, the 203 mm × 381 mm fabric specimen shall be placed on a 203 mm × 203 mm × 51 mm polyurethane substrate as shown in Figure 6.1.1.

**6.1.2.1** The fabric shall overlap the top and bottom of the substrate and be pinned into place on the corners.

**6.1.2.2** The warp or machine direction of the fabric shall run from front to back on the test assembly.

**6.1.3** Each assembled vertical and horizontal panel shall be placed in a mini-mock-up tester as shown in Figure 6.1.1.

**6.1.4** The position of the crevice shall be marked on the sides of the vertical substrate.

**6.1.5** Three cigarettes shall be lighted, and a lighted cigarette shall be placed on each of the three test assemblies such that the cigarette lies in the crevice and against the vertical panel, with each cigarette end equidistant from its respective side of the assembly.

**6.1.6** Each cigarette shall be well lighted and burned not more than 4 mm when placed at a specific test location.

**6.1.7\*** A piece of sheeting material shall be placed over each cigarette and shall be smoothed over the cigarette to ensure intimate contact.

**6.1.7.1** The sheeting shall be pinned to the vertical panel approximately 63 mm above the crevice.

**6.1.8** Each cigarette shall be allowed to burn its full length unless an obvious ignition of the polyurethane substrate occurs.

**6.1.8.1** If a cigarette extinguishes before burning its entire length, a fresh cigarette shall be placed on a fresh area of the test assembly and covered with sheeting fabric until one of the

following occurs:

- (1) Three cigarettes have burned their entire lengths on three individual test specimens.
- (2) Three cigarettes have self-extinguished on the sample.

**6.1.9** If an obvious ignition occurs on any of the three specimens, the smoldering materials shall be extinguished, and the sample shall be recorded as a Class II cover fabric based on the results of this test.

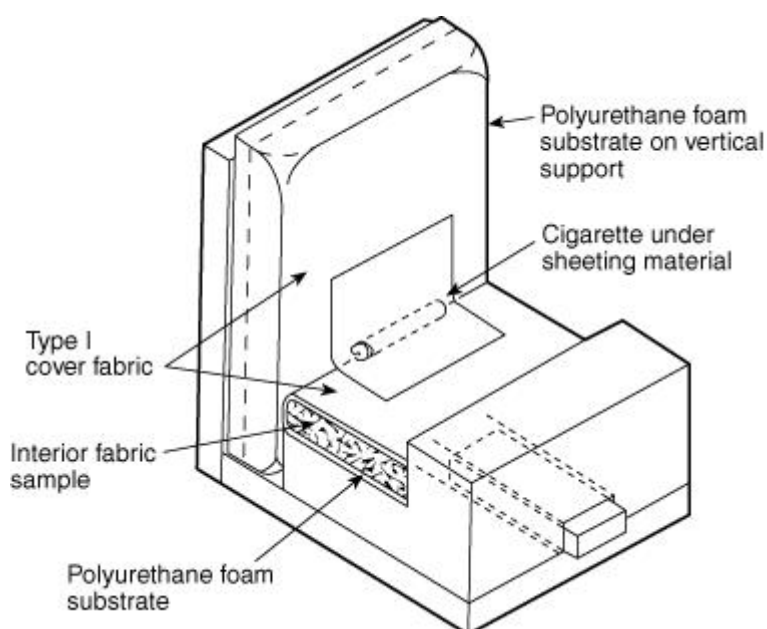
**6.1.10** If no obvious ignition occurs, the char on the vertical panel measured from the original crevice position to the highest part of the destroyed or degraded cover fabric shall be recorded to the nearest 2.5 mm.

**6.1.10.1** The original crevice position shall be determined by laying a straightedge or ruler between the two marks required by 6.1.4 on the edges of the vertical panel.

**6.1.10.2** The highest point of destroyed or degraded fabric shall be defined as the highest point at which any of the fabric is charred from front to back.

## 6.2 Interior Fabric Test.

**6.2.1** For horizontal panels, the 203 mm × 203 mm piece of interior fabric and the 203 mm × 203 mm standard Type I cover fabric shall be placed with the interior fabric against the polyurethane substrate, using pins in the ends of the fabric specimens to hold them in place, as shown in Figure 6.2.1.



**FIGURE 6.2.1 Interior Fabric Test Method.**

**6.2.2** For vertical panels, 203 mm × 381 mm standard Type I cover fabric shall be placed on a 203 mm × 203 mm × 51 mm polyurethane substrate as shown in Figure 6.2.1.

**6.2.2.1** The fabric shall overlap the top and bottom of the substrate and shall be pinned into

place at the corners.

**6.2.3** Each assembled vertical and horizontal panel shall be placed in a mini-mock-up tester as shown in Figure 6.2.1.

**6.2.4** The position of the crevice shall be marked on the sides of the vertical polyurethane substrate.

**6.2.5** Three cigarettes shall be lighted, and a lighted cigarette shall be placed on each of the three test assemblies such that the cigarette lies in the crevice and against the vertical panel, with each cigarette end equidistant from its respective side of the assembly.

**6.2.6** Each cigarette shall be well lighted and burned not more than 4 mm when placed at a specific test location.

**6.2.7\*** A piece of sheeting material shall be placed over each cigarette and shall be smoothed over the cigarette to ensure intimate contact.

**6.2.7.1** The sheeting shall be pinned to the vertical panel approximately 63 mm above the crevice.

**6.2.8** Each cigarette shall be allowed to burn its full length unless an obvious ignition of the polyurethane substrate occurs.

**6.2.8.1** If a cigarette extinguishes before burning its entire length, a fresh cigarette shall be placed on a new test assembly and covered with sheeting fabric until one of the following occurs:

- (1) Three cigarettes have burned their entire length on three individual test specimens.
- (2) Three cigarettes have self-extinguished on the sample.

**6.2.9** If an obvious ignition occurs on any of the three specimens, the smoldering materials shall be extinguished, and the sample shall be recorded as a Class II interior fabric based on the results of this test.

**6.2.10** If no obvious ignition occurs, the char on the vertical panel measured from the original crevice position to the highest part of the destroyed or degraded interior fabric shall be recorded to the nearest 2.5 mm.

**6.2.10.1** The original crevice position shall be determined by laying a straightedge or ruler between the two marks required by 6.2.4 on the vertical panel.

**6.2.10.2** The highest point of destroyed or degraded fabric shall be defined as the highest point at which any of the fabric is charred from front to back.

## **6.3 Welt Cord Test.**

### **6.3.1 Sizes.**

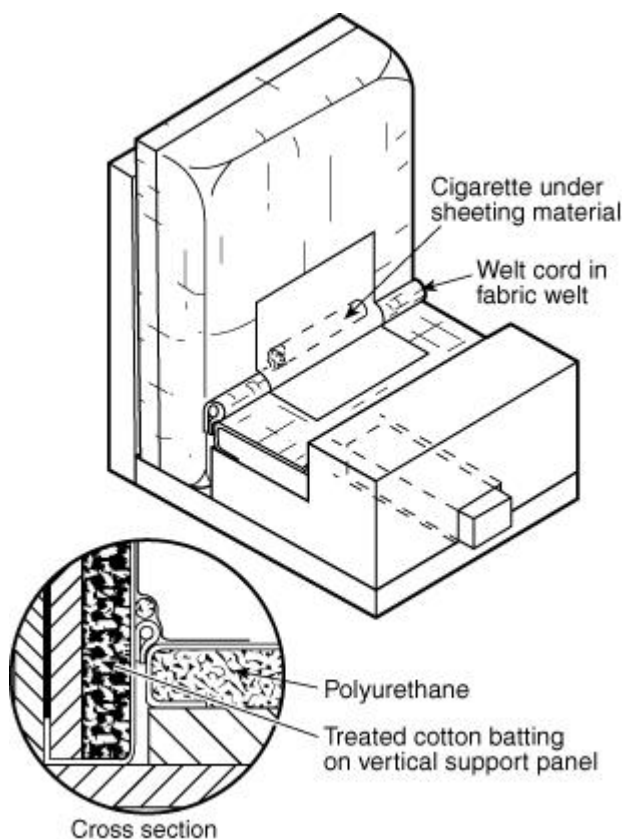
**6.3.1.1** Three specimens of standard Type II cover fabric shall be cut for each of the following specified sizes:

- (1) Horizontal panels measuring 203 mm × 203 mm

- (2) Vertical panels measuring 203 mm × 381 mm
- (3) Unsewn welts folded to measure 203 mm × 25 mm

**6.3.1.2** The width of the welt shall be adjusted to the size of the welt cord.

**6.3.1.3** For horizontal panels, the 203 mm × 203 mm Type II cover fabric shall be placed on a 203 mm × 127 mm × 51 mm polyurethane substrate, using pins in the ends of the fabric specimens to hold them in place, as shown in Figure 6.3.1.3.



**FIGURE 6.3.1.3 Welt Cord Test Method.**

**6.3.1.4** For vertical panels, the 203 mm × 381 mm Type II cover fabric shall be placed on a 203 mm × 203 mm × 51 mm polyurethane substrate as shown in Figure 6.3.1.3.

**6.3.1.4.1** The fabric shall overlap the top and bottom of the substrate and shall be pinned into place at the corners.

**6.3.2** Each assembled vertical and horizontal panel shall be placed in a mini-mock-up tester as shown in Figure 6.3.1.3.

**6.3.3** A welt cord specimen shall be placed into the center of a folded strip of standard Type II cover fabric to form an unsewn welt.

**6.3.3.1** An unsewn welt shall be placed in each test assembly such that the fabric edges are located between the horizontal and vertical panels and are held tightly in place by the panels as shown in Figure 6.3.1.3.



**6.3.4** The position of the top of the welt shall be marked on the sides of the vertical polyurethane substrate.

**6.3.5** Three cigarettes shall be lighted, and a lighted cigarette shall be placed on each of the three test assemblies such that the cigarette lies on the welt and against the vertical panel, with each cigarette end equidistant from its respective side of the assembly.

**6.3.6** Each cigarette shall be well lighted and burned not more than 4 mm when placed at a specific test location.

**6.3.7\*** A piece of sheeting material shall be placed over each cigarette and shall be smoothed over the cigarette to ensure intimate contact.

**6.3.7.1** The sheeting shall be pinned to the vertical panel approximately 63 mm above the crevice.

**6.3.8** Each cigarette shall be allowed to burn its full length unless an obvious ignition of the polyurethane substrate occurs.

**6.3.8.1** If a cigarette extinguishes before burning its entire length, a fresh cigarette shall be placed on a new test assembly and covered with sheeting fabric until one of the following occurs:

- (1) Three cigarettes have burned their entire lengths on three individual specimens.
- (2) Three cigarettes have self-extinguished on the sample.

**6.3.9** If an obvious ignition occurs on any of the three specimens, the smoldering materials shall be extinguished, and the sample shall be recorded as a Class II welt cord based on the results of this test.

**6.3.10** If no obvious ignition occurs, the char on the vertical panel measured from the top of the original welt position to the highest part of the destroyed or degraded fabric shall be recorded.

**6.3.10.1** The top of the original welt position shall be determined by laying a straightedge or ruler between the two marks required by 6.3.4 on the edges of the vertical panel.

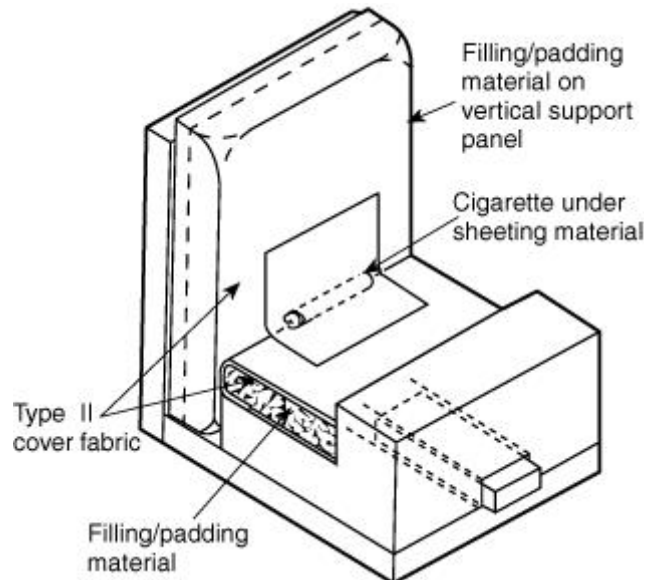
**6.3.10.2** The highest point of destroyed or degraded fabric shall be defined as the highest point at which any of the fabric is charred from front to back.

#### **6.4 Filling/Padding Component Test.**

**6.4.1** Three 203 mm × 203 mm specimens shall be cut from standard Type I cover fabric for the horizontal panels, and three 203 mm × 305 mm specimens shall be cut for the vertical panels.

**6.4.1.1** Three horizontal panels shall be constructed by wrapping each panel with Type I cover fabric, such that the top surface is completely covered, and the long direction of the fabric continues over the crevice edge and partially covers the bottom surface.

**6.4.1.2** The cover fabric shall be pinned into place on the top and bottom as shown in Figure 6.4.1.2.



**FIGURE 6.4.1.2 Filling/Padding Component Test Method.**

**6.4.1.3** Three vertical panels shall be constructed by covering one surface of a removable vertical support panel with a vertical pad of the test specimen material topped by the Type I cover fabric.

**6.4.1.4** The Type I cover fabric shall be pulled around the top and bottom of the removable vertical support panel and stapled to the back side.

**6.4.2** Each assembled vertical and horizontal panel shall be placed in a mini-mock-up tester as shown in Figure 6.4.1.2, such that a snug fit is created between the two panels.

**6.4.3** The position of the crevice shall be marked on the edges of the cover fabric.

**6.4.4** Three cigarettes shall be lighted, and a lighted cigarette shall be placed on each of the three test assemblies such that the cigarette lies in the crevice and against the vertical panel, with each cigarette end equidistant from its respective side of the assembly.

**6.4.5** Each cigarette shall be well lighted and burned not more than 4 mm when placed at a specific test location.

**6.4.6\*** A piece of sheeting material shall be placed over each cigarette and shall be smoothed over the cigarette to ensure intimate contact.

**6.4.6.1** The sheeting shall be pinned to the vertical panel approximately 63 mm above the crevice.

**6.4.7** Each cigarette shall be allowed to burn its full length unless an obvious ignition of the polyurethane substrate occurs.

**6.4.7.1** If a cigarette extinguishes before burning its entire length, a fresh cigarette shall be placed on a new test assembly and covered with sheeting fabric until one of the following occurs:

- (1) Three cigarettes have burned their entire lengths on three individual test specimens.

(2) Three cigarettes have self-extinguished on the sample.

**6.4.8** If an obvious ignition occurs on any of the three specimens, the smoldering materials shall be extinguished, and the sample shall be recorded as a Class II filling/padding material based on the results of this test.

**6.4.9** If no obvious ignition occurs, the char on the vertical panel measured from the original crevice position to the highest part of the destroyed or degraded fabric shall be recorded.

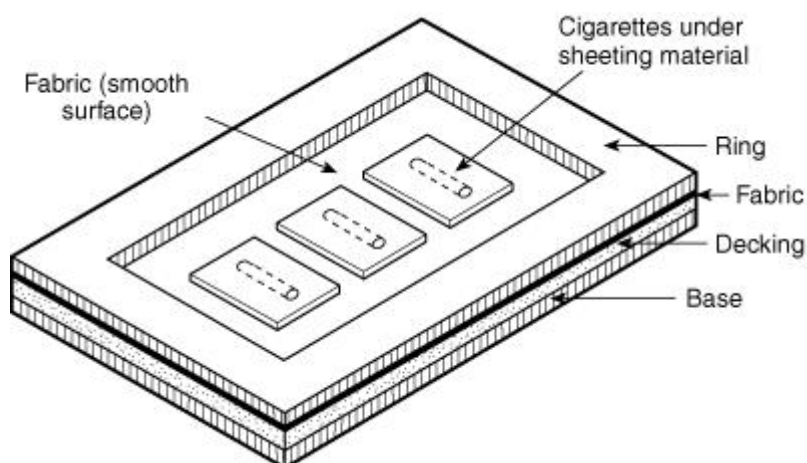
**6.4.9.1** The original crevice position shall be determined by laying a straightedge or ruler between the two marks required by 6.4.3 on the edges of the vertical panel.

### **6.5 Decking Materials Test.**

**6.5.1** One 533 mm × 343 mm specimen shall be cut from standard Type II fabric.

**6.5.2** The decking material specimen shall be placed on the plywood base of the decking materials tester and covered with the standard Type II fabric.

**6.5.2.1** The plywood retainer ring shall be placed on top of the cover fabric as shown in Figure 6.5.2.1.



**FIGURE 6.5.2.1 Decking Materials Test Method.**

**6.5.3** Three cigarettes shall be lighted and placed on the surface of the standard Type II fabric so that they are equally spaced from each other and from the edges of the retainer ring.

**6.5.4** Each cigarette shall be well lighted and burned not more than 4 mm when placed at a specific test location.

**6.5.5** A piece of sheeting material shall be placed over each of the cigarettes and shall be smoothed over the cigarette to ensure intimate contact.

**6.5.6** Each cigarette shall be allowed to burn its full length.

**6.5.6.1** If a cigarette extinguishes before burning its entire length, a fresh cigarette shall be placed on a fresh area of the cover fabric until one of the following occurs:

(1) Three cigarettes have burned their entire lengths.

(2) Three cigarettes have self-extinguished.

**6.5.7** If an obvious ignition occurs at any of the cigarette locations, the smoldering material shall be extinguished, and the sample shall be recorded as a Class II decking material based on the results of this test.

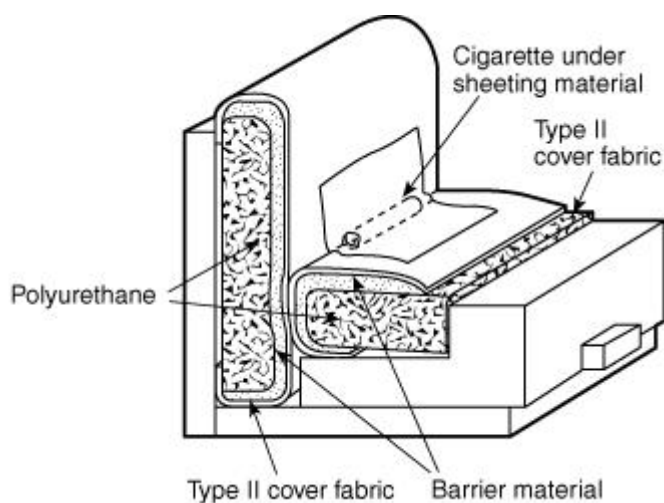
**6.5.8** If no obvious ignition occurs, the maximum length of char shall be measured from the original cigarette position and recorded to the nearest 2.5 mm.

## **6.6 Barrier Materials Test.**

**6.6.1** Three 203 mm × 203 mm specimens shall be cut from standard Type II cover fabric for horizontal panels, and three 203 mm × 381 mm specimens shall be cut for vertical panels.

**6.6.1.1** For horizontal panels, a barrier specimen shall be placed on a 203 mm × 127 mm × 51 mm polyurethane substrate.

**6.6.1.2** The barrier shall be folded around and under the polyurethane as shown in Figure 6.6.1.2 and fastened in place with pins.



**FIGURE 6.6.1.2 Barrier Materials Test Method.**

**6.6.1.3** The 203 mm × 203 mm cover fabric shall be placed over each barrier and fastened in place with pins.

**6.6.1.4** For vertical panels, a barrier specimen shall be placed on a 203 mm × 203 mm × 51 mm polyurethane substrate.

**6.6.1.5** The 203 mm × 381 mm cover fabric specimen shall be placed over each vertical panel and fastened in place with pins as shown in Figure 6.6.1.2.

**6.6.2** Each assembled horizontal panel and vertical panel shall be arranged in the test assembly such that a firm contact is achieved across the entire crevice formed by vertical and horizontal panels.

**6.6.3** The position of the crevice shall be marked on the sides of the vertical polyurethane substrate.

**6.6.4** Three cigarettes shall be lighted, and a lighted cigarette shall be placed on each of the three test assemblies such that the cigarette lies in the crevice and against the vertical panel, with each cigarette end equidistant from its respective side of the assembly.

**6.6.5** Each cigarette shall be well lighted and burned not more than 4 mm when placed at a specific test location.

**6.6.6\*** A piece of sheeting material shall be placed over each cigarette and shall be smoothed over the cigarette to ensure intimate contact.

**6.6.6.1** The sheeting shall be pinned to the vertical panel approximately 63 mm above the crevice.

**6.6.7** Each cigarette shall be allowed to burn its full length unless an obvious ignition of the substrate occurs.

**6.6.7.1** If a cigarette extinguishes before burning its entire length, a fresh cigarette shall be placed on a fresh area of the test assembly and covered with sheeting fabric until one of the following occurs:

- (1) Three cigarettes have burned their entire lengths on three individual test specimens.
- (2) Three cigarettes have self-extinguished on the sample.

**6.6.8** If an obvious ignition occurs on any of the three specimens, the smoldering materials shall be extinguished, and the sample shall be recorded as a Class II barrier material based on the results of this test.

**6.6.9** If no obvious ignition occurs, the char on the vertical panel measured from the original crevice position to the highest part of the destroyed or degraded fabric shall be recorded to the nearest 2.5 mm.

**6.6.9.1** The original crevice position shall be determined by laying a straightedge or ruler between the two marks required by 6.6.3 on the edges of the vertical panel.

**6.6.9.2** The highest point of destroyed or degraded fabric shall be defined as the highest point at which any of the fabric is charred from front to back.

## **Chapter 7 Cigarette Resistance Classifications**

### **7.1 General.**

**7.1.1** Furniture components shall be classified as Class I or Class II in accordance with Section 7.2 through Section 7.7.

**7.1.2** An upholstered furniture component shall meet the requirements of Class I to be considered resistant to cigarette ignition.

### **7.2 Cover Fabric Classification.**

**7.2.1 Class I.** Class I cover fabric shall meet the criteria of 7.2.1.1 and 7.2.1.2.

**7.2.1.1** When subjected to the cover fabric test, a specimen shall show no evidence of ignition of any test assembly.

**7.2.1.2** The vertical char on any of the three specimens shall not exceed 45 mm.

**7.2.2 Class II.** Cover fabrics that do not meet Class I criteria shall be designated as Class II.

### **7.3 Interior Fabric Classification.**

**7.3.1 Class I.** Class I interior fabric shall meet the criteria of 7.3.1.1 and 7.3.1.2.

**7.3.1.1** When subjected to the interior fabric test, a specimen shall show no evidence of ignition of any test assembly.

**7.3.1.2** The vertical char on the cover fabric of any of the three specimens shall not exceed 38 mm.

**7.3.2 Class II.** Interior fabrics that do not meet Class I criteria shall be designated as Class II.

### **7.4 Welt Cord Classification.**

**7.4.1 Class I.** Class I welt cord shall meet the criteria of 7.4.1.1 and 7.4.1.2.

**7.4.1.1** When subjected to the welt cord test, a specimen shall show no evidence of ignition of any test assembly.

**7.4.1.2** When measured from the top of the original welt position, the vertical char on the cover fabric shall not exceed 38 mm for any of three replicated tests.

**7.4.2 Class II.** Welt cord that does not meet Class I criteria shall be designated as Class II.

### **7.5 Filling/Padding Components Classification.**

**7.5.1 Class I.** Class I components shall meet the criteria of 7.5.1.1 and 7.5.1.2.

**7.5.1.1** When subjected to the filling/padding component test, a specimen shall show no evidence of ignition of any test assembly.

**7.5.1.2** When measured from the original crevice position, the vertical char length on the cover fabric shall not exceed 38 mm for any of three replicated tests.

**7.5.2 Class II.** Components that do not meet Class I criteria shall be designated as Class II.

### **7.6 Decking Materials Classification.**

**7.6.1 Class I.** Class I decking materials shall meet the criteria of 7.6.1.1 and 7.6.1.2.

**7.6.1.1** When subjected to the decking materials test, a specimen shall show no evidence of ignition at any cigarette location.

**7.6.1.2** When measured from the original cigarette position, the char length on the cover fabric shall not exceed 38 mm at any of three cigarette locations.

**7.6.2 Class II.** Decking materials that do not meet Class I criteria shall be designated as

Copyright NFPA

Class II.

### **7.7 Barrier Materials Classification.**

**7.7.1** All barrier materials used in cigarette-resistant furniture construction shall be classified as Class I barrier fabric using the test method described in Section 6.6.

**7.7.2 Class I.** Class I barriers shall meet the criteria of 7.7.2.1 and 7.7.2.2.

**7.7.2.1** When subjected to the barrier materials test, a specimen shall show no evidence of ignition of any test assembly.

**7.7.2.2** When measured from the original crevice position, the vertical char length on the cover fabric shall not exceed 51 mm for any of three replicated tests.

**7.7.3 Class II.** Barriers that do not meet Class I criteria shall be designated as Class II.

## **Chapter 8 Safety Precautions**

### **8.1\* Combustion.**

**8.1.1** Any test shall be discontinued as soon as continuing combustion occurs.

**8.1.2** The exposed area shall be wet immediately with a water spray from the water bottle, and the charred or burned material shall be removed and immersed in a bucket of water.

**8.1.3** The test area then shall be ventilated.

### **8.2\* Exposure.**

**8.2.1** Test personnel shall avoid exposure to smoke and gases produced during testing as much as possible.

**8.2.2** A large hood with a low air velocity shall be permitted to be in operation during testing to remove products of combustion.

## **Chapter 9 Precision and Accuracy**

### **9.1\* Statement. (Reserved)**

## **Annex A Explanatory Material**

*Annex A is not a part of the requirements of this NFPA document but is included for informational purposes only. This annex contains explanatory material, numbered to correspond with the applicable text paragraphs.*

**A.1.2.3** Cover fabrics determined to be Class II by this test should not be used in the manufacture of furniture intended to be resistant to cigarette ignition without a Class I-type



barrier. Barrier materials also are classified by this test. Any other components determined to be Class II by this test should not be used in the manufacture of furniture intended to be resistant to cigarette ignition.

**A.3.3.4.1 Obvious Ignition.** This is a matter of operator judgment based on experience in this type of operation.

**A.3.3.5 Machine Direction.** Where rolls or sheets are cut into small pieces, the machine direction can become impossible to distinguish unless the samples are identified individually prior to cutting.

**A.4.5** UFAC refers to the Upholstered Furniture Action Council. Standard Type II cover fabric can be obtained from TESTFABRICS, Inc., P.O. Box 420, Middlesex, NJ 08848-0420.

**A.4.9** It is recommended that the properly loaded mini-mock-up tester and/or the decking materials tester be placed in a draft enclosure (*see Section 4.11*), and then the draft enclosure should be placed into a fume hood having air curtains or a door across the hood face and containing virtually zero air velocity.

A fume hood with air curtains drawn across the face and zero air velocity at the test locations is recommended.

**A.5.5.2** Composites of loose/particulate materials and bag materials that are not classified as Class I should not be used in upholstered furniture that is expected to be resistant to cigarette ignition.

**A.6.1.7** Proper fabric to cigarette contact can be ensured by running a finger over the covered cigarettes.

**A.6.2.7** Proper fabric to cigarette contact can be ensured by running a finger over the covered cigarettes.

**A.6.3.7** Proper fabric to cigarette contact can be ensured by running a finger over the covered cigarettes.

**A.6.4.6** Proper fabric to cigarette contact can be ensured by running a finger over the covered cigarettes.

**A.6.6.6** Proper fabric to cigarette contact can be ensured by running a finger over the covered cigarettes.

**A.8.1** CAUTION: Even under the most carefully observed conditions, smoldering combustion can progress to a point where it cannot be extinguished readily.

**A.8.2** Products of combustion can cause irritation and be dangerous to test personnel.

**A.9.1** A precision and accuracy statement is under study and will be provided for later inclusion in the test method. For preliminary data, see Annex B.

## Annex B Commentary



*This annex is not a part of the requirements of this NFPA document but is included for informational purposes only.*

## **B.1 Introduction.**

**B.1.1** In April 1979, the Upholstered Furniture Action Council (UFAC) adopted a voluntary program designed to reduce the cigarette ignition propensity of upholstered furniture. The UFAC program is based on the six test methods described in this standard and consists of the following four elements:

- (1) Classification of cover fabrics
- (2) Construction criteria for use of complying materials
- (3) Labeling plan to inform the consumer of the safer product
- (4) Compliance verification program to ensure that furniture manufacturers and their suppliers utilize materials and methods of construction as required by the voluntary program

**B.1.2** The UFAC construction criteria are intended to effect the following changes:

- (1) Eliminate ignition-prone welt cords and substitute smolder-resistant welt cords that meet the requirements of the UFAC welt cord test.
- (2) Eliminate untreated cotton batting as a substrate in immediate contact with decking fabrics and substitute materials that meet the requirements of the UFAC decking materials test.
- (3) Eliminate untreated cotton batting in immediate contact with the covering of the inside vertical walls and substitute materials that meet the requirements of the UFAC filling/padding component test.
- (4) Eliminate intimate contact between Class II fabrics and the horizontal seating surfaces of conventional polyurethane foam cushions. Where Class II fabrics are used with conventional polyurethane foam cushions, a barrier meeting the requirements of the UFAC barrier materials test should be used.

## **B.2 Nature of Tests.**

**B.2.1** The six test methods outlined in this standard define the performance of welt cord, filling materials, decking substrates, barriers, interior fabrics, and cover fabrics. All are composite tests of individual components in combination with actual materials used by the upholstery industry. Certain standard materials have been selected for use in these tests. Performance of each component is evaluated in an assembly in which all other materials are standard. Thus, individual performance can be measured. The test methods are essentially similar. They are varied only as necessary to measure the performance of different components.

**B.2.2** In the UFAC program, only those welt cords, filling materials, decking substrates, and barrier materials that meet the requirements for Class I performance can be permitted to be used. Class I cover fabrics can be permitted to be used in contact with other Class I

Copyright NFPA

materials. Class II cover fabrics can be permitted to be used only in conjunction with Class I barrier materials.

**B.3 Experimental Study.**

The significance of the UFAC program was validated by a series of chair tests in July 1979. These tests demonstrated that implementation of the UFAC program yielded a significant reduction in cigarette ignition propensity of upholstered furniture components compared to components not meeting UFAC criteria. An improvement of 89 percent was achieved by application of the UFAC criteria. In furniture manufactured before implementation of the UFAC program, 41 percent of all test cigarettes caused ignition of the filling materials. In furniture manufactured according to UFAC methods, only 4.5 percent of the cigarettes caused ignitions. For further information, see “UFAC Voluntary Action Program Chair Tests,” July 26, 27, and 28, 1979.

**B.4 Further Experimental Study.**

A sound and sensible method(s) for developing statistically significant precision and bias statements for tests contained in this standard has yet to be discovered. However, reproducibility within a laboratory and from laboratory to laboratory has been studied. The percentage of reproducibility when testing the same component in these two laboratory situations is specified in Table B.4(a) and Table B.4(b).

**Table B.4(a) Reproducibility Within the Same Laboratory**

<b>Test Method</b>	<b>Percent Reproducibility*</b>
Cover fabric classification	94
Interior fabric classification	94
Filling/padding classification:	
Slab and garnetted filling/padding	89
Loose and particulate filling/padding	89
Welt cord classification	94
Decking materials classification	95
Barrier materials classification	96

\*The percent of reproducibility equals the percentage of replicates tested that produced the same result. For example, for welt cord classification, 94 percent of the replicate tests produced the same pass/fail or the same classification results.

**Table B.4(b) Reproducibility from Laboratory to Laboratory**

<b>Test Method</b>	<b>Percent Reproducibility*</b>
Cover fabric classification	89

**Table B.4(b) Reproducibility from Laboratory to Laboratory**

<b>Test Method</b>	<b>Percent Reproducibility*</b>
Interior fabric classification	91
Filling/padding classification:	
Slab and garnetted filling/padding	86
Loose and particulate filling/padding	85
Welt cord classification	91
Decking materials classification	94
Barrier materials classification	96

Note: For further information, see “UFAC Voluntary Action Program Interlab Tests,” 1981 – 1991, and “Schnadig Corporation Test Data.”

\*The percent of reproducibility equals the percentage of laboratories that obtained the same pass/fail or the same classification result. For example, for the filling/padding classification for slab and garnetted materials, the testing laboratories obtained the same results 86 percent of the time.

### **B.5 General Comments.**

Cover fabrics determined to be Class II by these test methods can be permitted to be used where a Class I barrier is provided.

## **Annex C Informational References**

### **C.1 Referenced Publications.**

The following documents or portions thereof are referenced within this standard for informational purposes only and are thus not part of the requirements of this document unless also listed in Chapter 2.

#### **C.1.1 NFPA Publications. (Reserved)**

#### **C.1.2 Other Publications.**

**C.1.2.1 Schnadig Corporation Publication.** Schnadig Corporation, Engineering and Technical Services, Belmont, MS 38827.

“Schnadig Corporation Test Data”

**C.1.2.2 UFAC Publications.** Upholstered Furniture Action Council, P.O. Box 2436, High Point, NC 27261.

“UFAC Voluntary Action Program Chair Tests,” July 26, 27, and 28, 1979.

“UFAC Voluntary Action Program Interlab Tests,” 1981 – 1991.

Copyright NFPA

**C.2 Informational References. (Reserved)**

**C.3 References for Extracts. (Reserved)**

[Click here to view and/or print an Adobe® Acrobat®  
version of the index for this document](#)